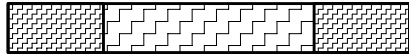
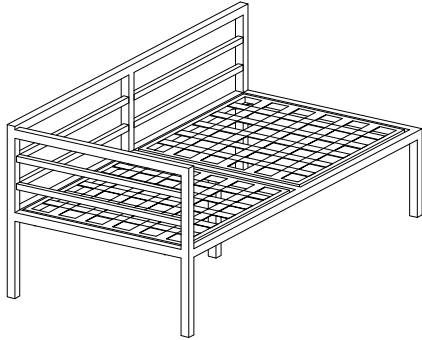


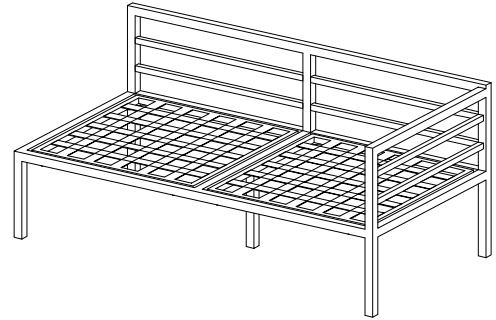
**A x 1**

**LIST OF HARDWARE**

| No. | Hardware  | Q.ty |
|-----|---|------|
| 1   | Straps 40x400<br> | 04   |



**B x 1**



**C x 1**

