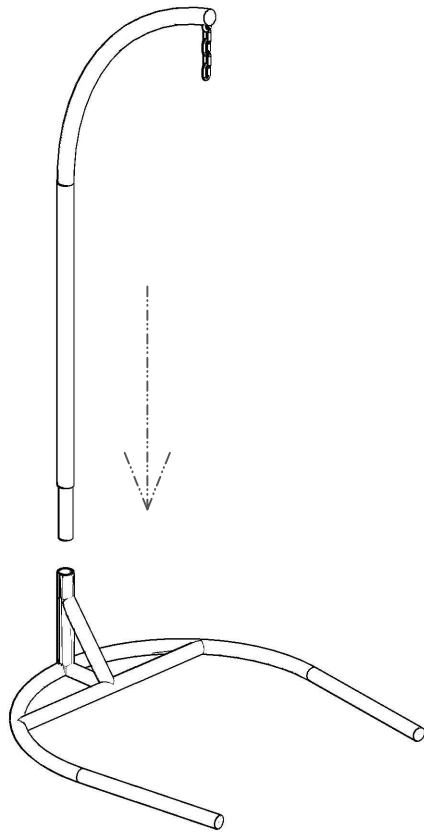
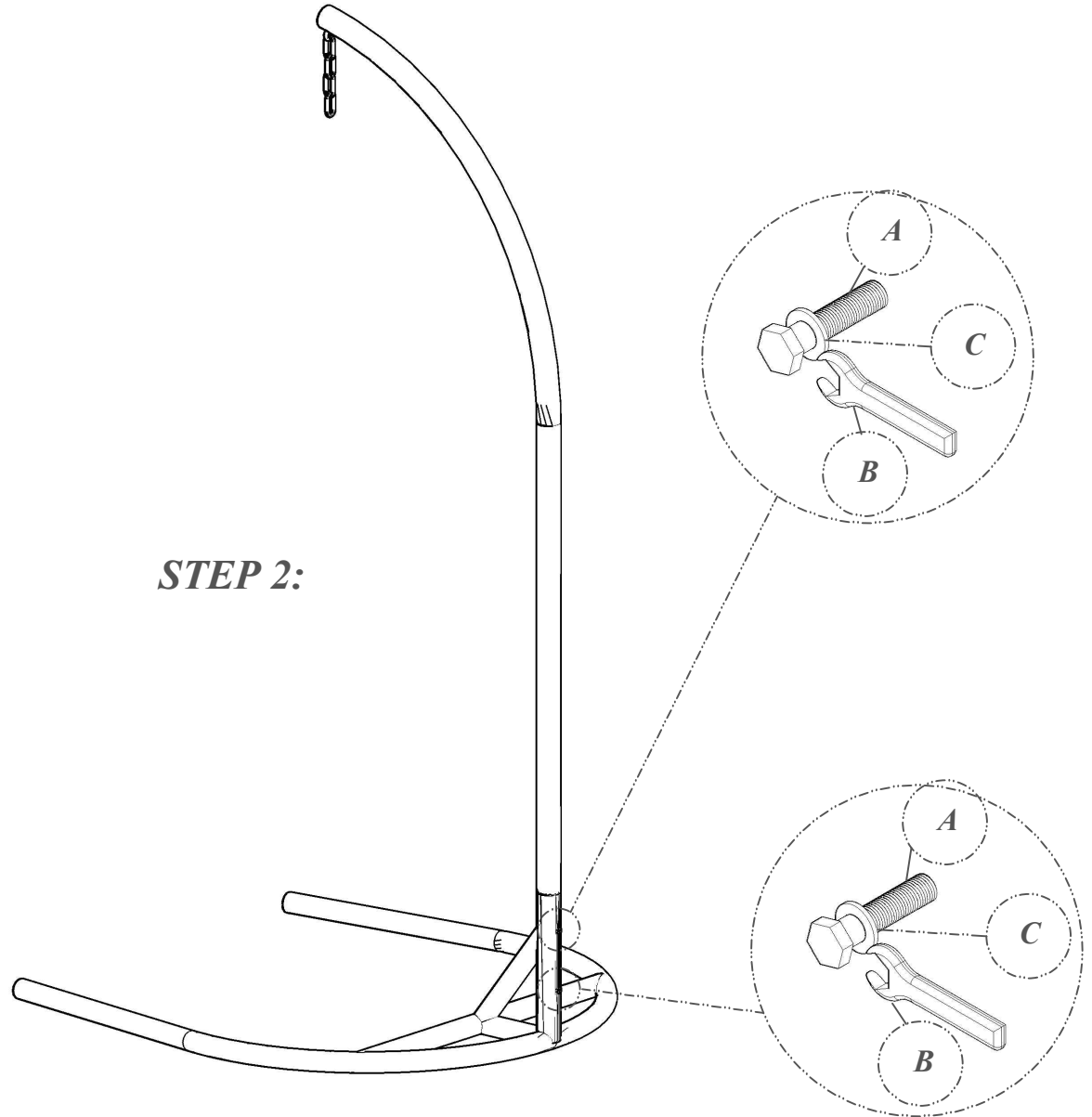


ASSEMBLY INSTRUCTIONS


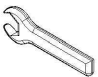

STEP 1:



STEP 2:

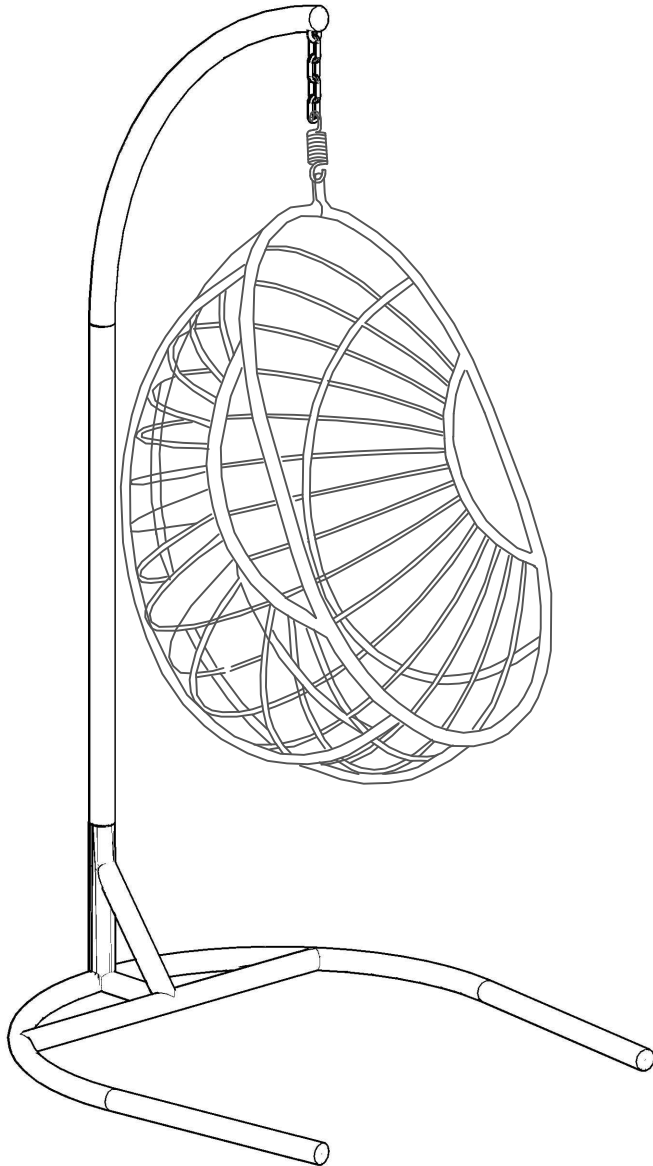


HARDWARE LIST

A		02PC
B		01 PC
C		02 PCS

ASSEMBLY INSTRUCTIONS

STEP 3:



STEP 4:

