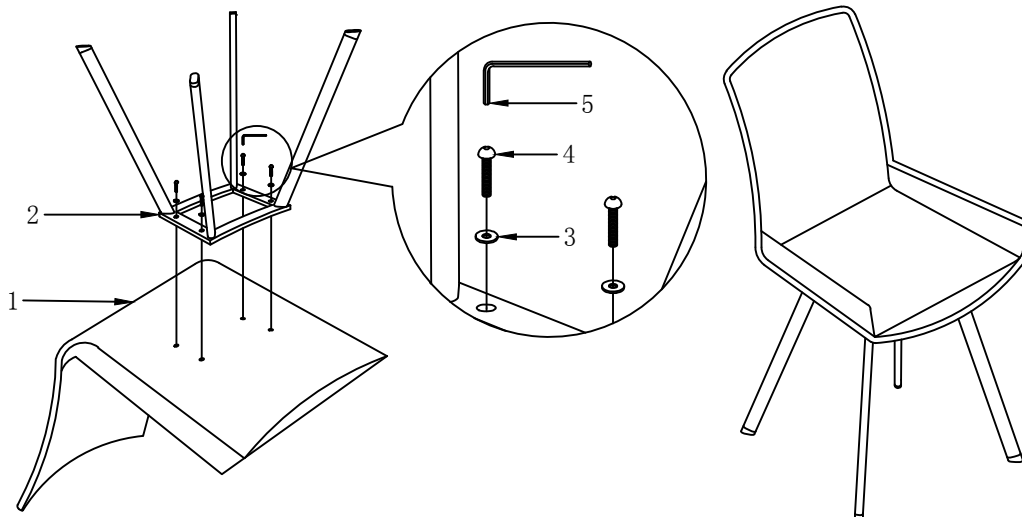


BC318 Chair installation diagram



1、Cushion
1 pc



2、Legs
1 pc



3、Washer
 $\phi 16 \times 1.2 - \phi 6$
4 pcs



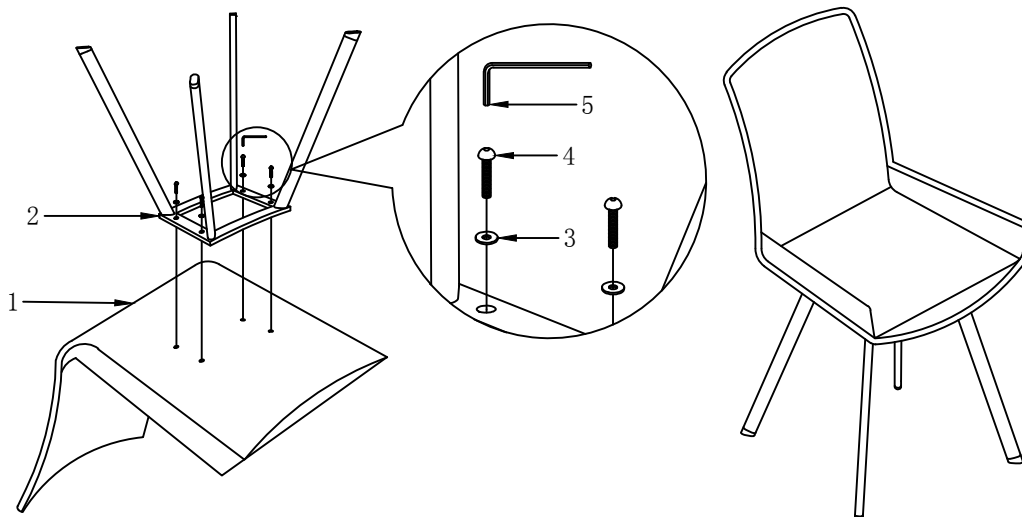
4、Screw
M6*25
4 pcs



5、Wrench
S4



BC318 Chair installation diagram



1、Cushion
1 pc



2、Legs
1 pc



3、Washer
 $\phi 16 \times 1.2 - \phi 6$
4 pcs



4、Screw
M6*25
4 pcs



5、Wrench
S4

